

Cable Glands

BW Cable Gland

• Application:

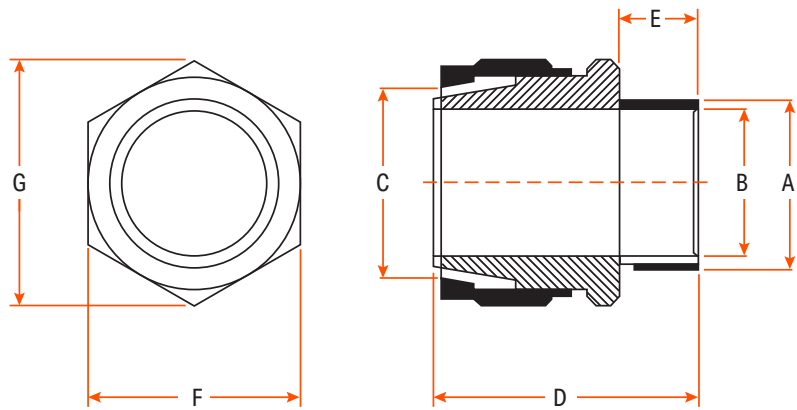
Suitable for indoor use.
Used when no waterproof seal is required.

• Contents:

Gland kits UBW20 to UBW32 contain: 2 brass glands, 2 PVC shrouds, 2 steel lock rings, 2 earth tags.
Gland kits UBW40 to UBW75 contain: 1 brass gland, 1 PVC shroud, 1 steel lock ring, 1 earth tag.

• Operating temperature:

-80°C to +300°C.



Item No.	Standard Thread Entry (mm)	Cable Bedding Dia. (mm)	Overall Cable Dia. (mm)	Overall Length (mm)	Thread Length (mm)	Hex. Size Across Flat (mm)	Hex. Size Across Corner (mm)	Pack Quantity
	A	B	C	D	E	F	G	
UBW20S	M20	12.3	17.0	27.0	10	21.0	23.2	2
UBW20	M20	14.3	20.0	28.0	10	23.5	26.0	2
UBW25	M25	20.4	27.0	29.8	10	31.5	35.5	2
UBW32	M32	26.5	33.5	36.4	10	40.0	44.3	2